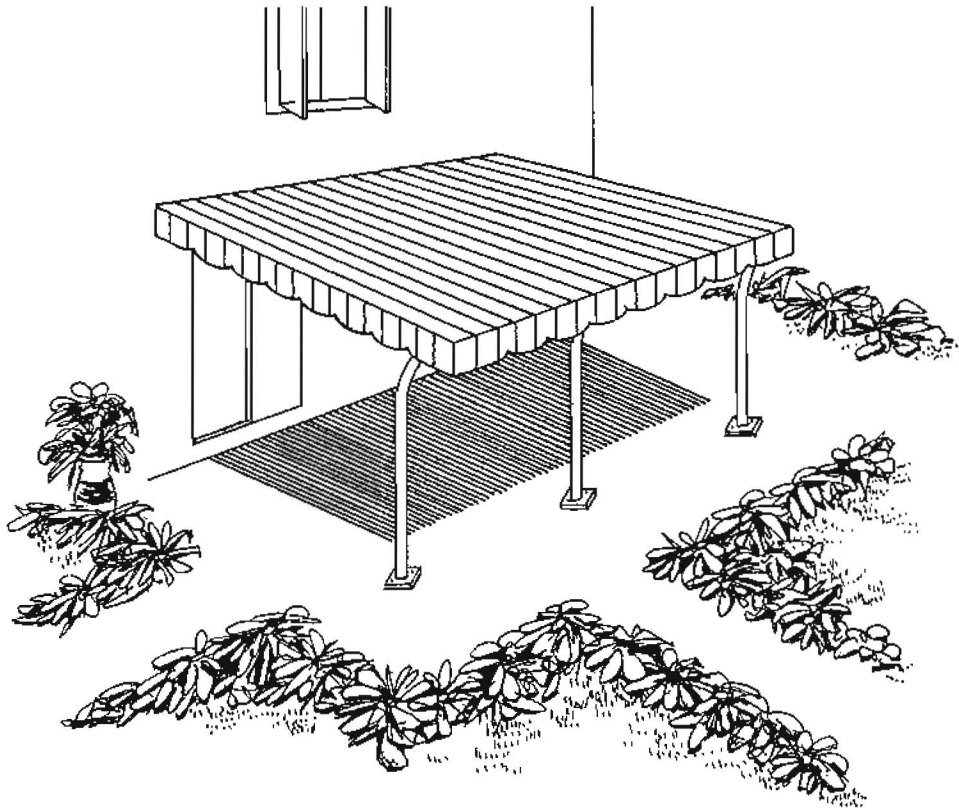


Assembly Instructions



Fiesta
Systems

Patio Canopy

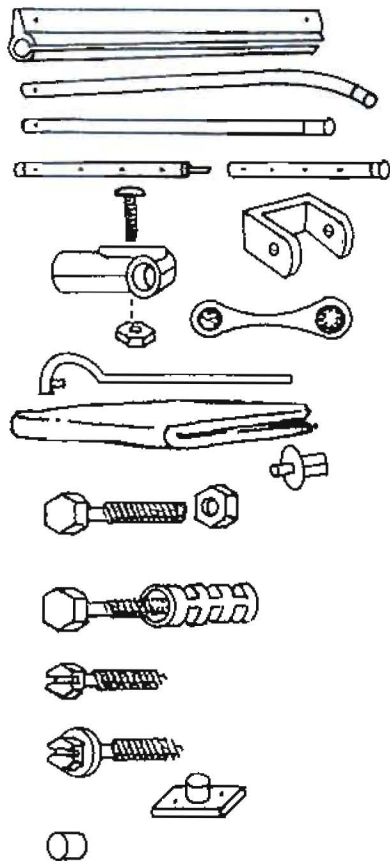
SALES OFFICES:
1100 BURCH DR.
P.O. BOX 3477
EVANSVILLE, IN 47733 USA



PRODUCTION FACILITIES:
BRADENTON, FL
EVANSVILLE, IN

Quality, Craftsmanship and Service since 1892

FPAT-396
Copyright © Anchor Ind.



PARTS	QTY. PER FRAME WIDTH						
	10'-0"	12'-6"	15'-0"	17'-6"	20'-0"	22'-6"	25'-0"
CHANNEL RAIL	1	2	2	2	2	3	3
UPRIGHT	2	2	3	3	3	3	3
RAFTER	5	6	6	7	8	9	10
FRONT BAR W/CAPS	1	1	2	2	2	2	2
FPB HINGE CASTING	5	6	6	7	8	9	10
PTN CASTING W/BOLT & NUT	7	8	9	10	11	12	13
RATCHET WRENCH	1	1	1	1	1	1	1
FRONT BAR WRENCH	1	1	1	1	1	1	1
FABRIC CANOPY	1	1	1	1	1	1	1
1/4"x3/16" DRIVE RIVET	-	-	2	2	2	2	2
5/16"x2 3/4" BOLT & NUT	5	6	6	7	8	9	10
1/4"x2" LAG BOLT W/SHIELD	TO WOOD	4	4	6	6	6	6
	TO BRICK	9	10	12	13	14	15
#10 - 1 1/4" SHT MIL SCREW	TO WOOD	21	26	29	33	38	43
	TO BRICK	11	14	17	19	22	25
#10-1" SHT MTL SCREW	2	2	3	3	3	3	3
BASE PLATE	2	2	3	3	3	3	3
WHITE CAP	7	8	9	10	11	12	13

TOOLS REQUIRED

6' Stepladder
 Drill with drill bits
 Screw Driver
 Level
 F.B. Wrench (provided)
 Ratchet Wrench

HELPFUL HINTS

The Sunbrella® fabric will give many years of service with minimal care. DO NOT leave fabric cover on frame in winter months due to snow accumulation.

If fabric becomes very dirty or soiled, see recommendations for proper cleaning.

Check fabric occasionally and retighten if required.

Cleaning of Sunbrella®

The fabric is first soaked (with occasional agitation) in a solution with the following proportions of Clorox and Ivory Flakes:

1/2 cup (4 oz.) Clorox, 1/2 cup (4oz.) Ivory Flakes
 & 1 gallon "hand warm" water

The fabric remains in this solution until most of the stains disappear or for 20 minutes.

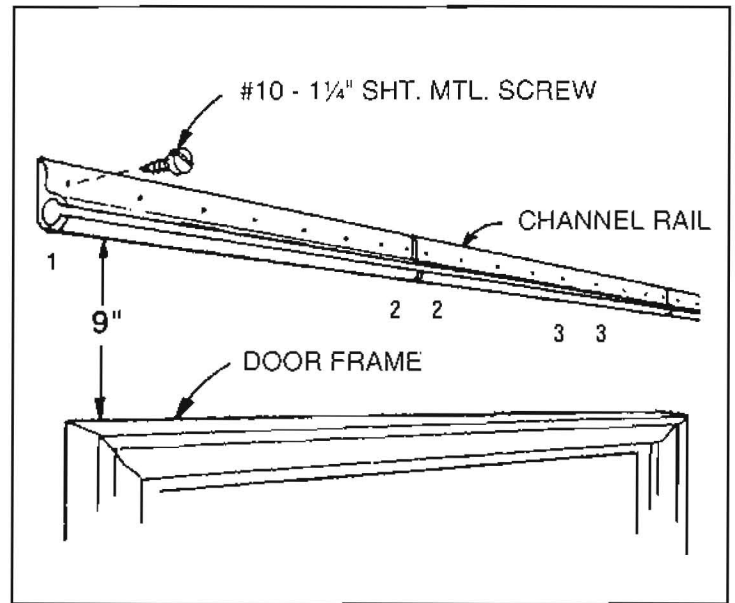
The fabric may be washed in an automatic washer on the COLD cycle using 2 cups (16 oz.) Clorox and one cup (8 oz.) Ivory Flakes. The fabric is then line dried. UNDER NO CIRCUMSTANCES are these fabrics to be put in HOT WATER.

UNDER NO CIRCUMSTANCES are these fabrics to be run through the HOT drying cycle of an automatic dryer. FABRIC SHOULD BE LINE DRIED.

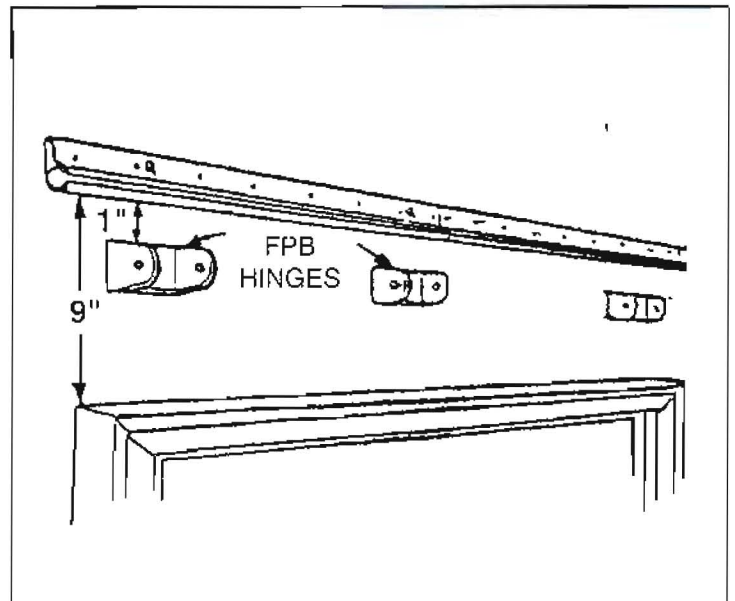
UNDER NO CIRCUMSTANCES ARE THESE FABRICS TO BE STEAM PRESSED AT DRY CLEANERS.

1**ATTACH CHANNEL RAIL**

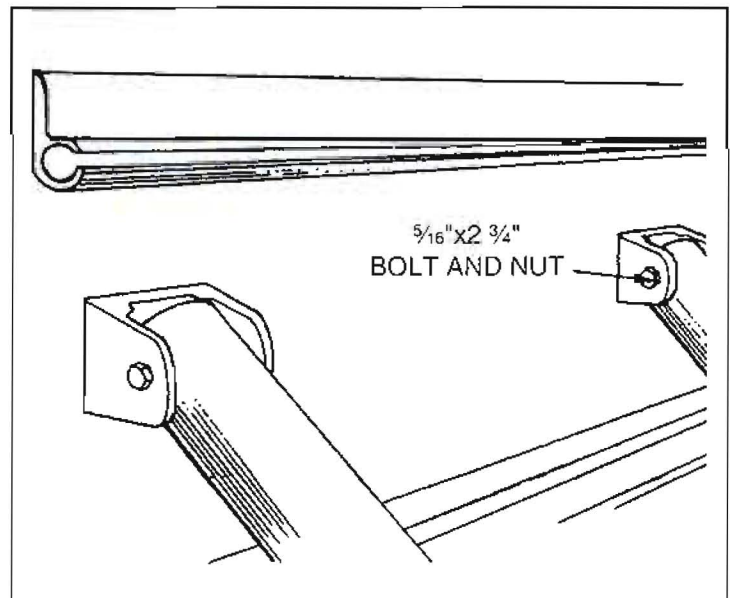
Mark level line on wall where canopy will be attached. Install channel rail in sequence per illustration. (Minimum height 8'-3" from floor level, at least 9" above doors or windows). If applied to masonry, use plastic shields (not furnished) with #10-1/4" sht mtl. screws.

**2****ATTACH FPB HINGES**

Install FPB hinges 1" below channel rail at "R" marking indicated on channel rail. Use two #10 - 1/4" sht. mtl. screws to wood and aluminum or one 1/4"x2" lag bolt and shield to masonry.

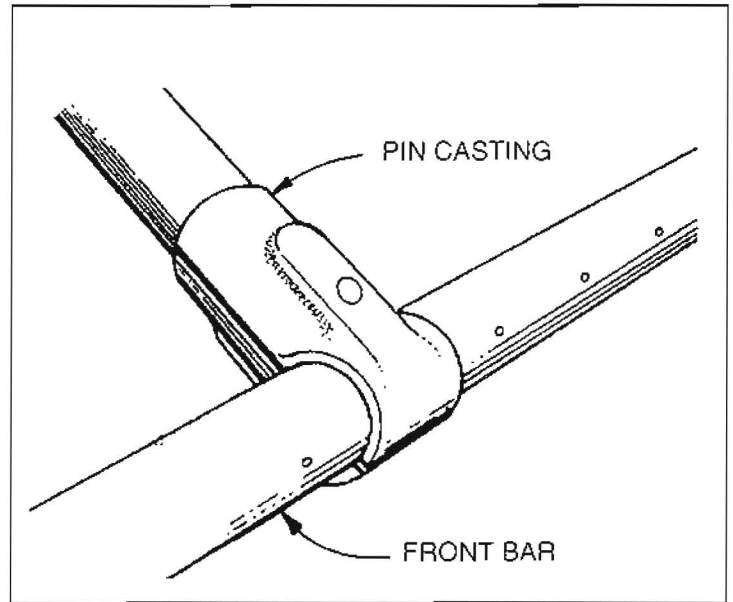
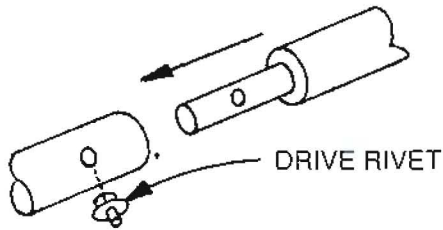
**3****CONNECT RAFTERS**

Install all rafters to FPB hinges with bolt and nut.

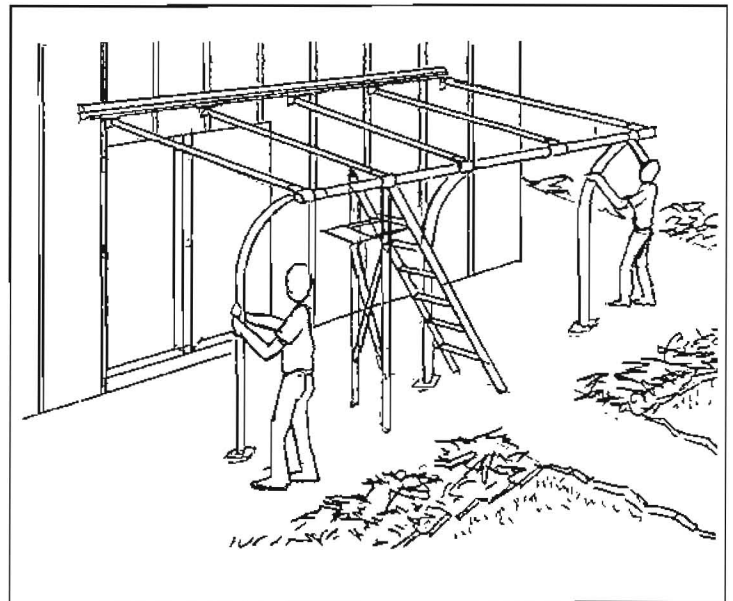


4**CONNECT FRONT BAR**

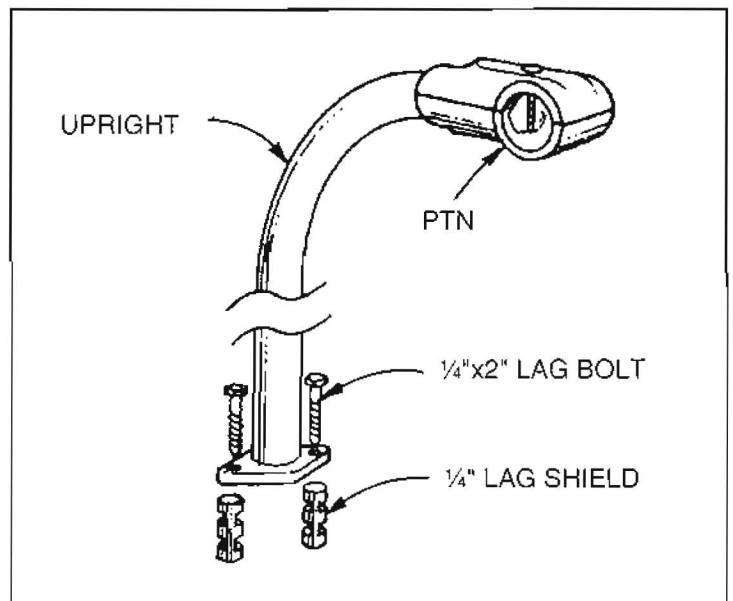
Using PTN casting, attach front of rafters to front bar. Front bar holes should be positioned on top of bar. Ridge in PTN should align with groove in rafter. Bar should rotate freely. Do not clamp over holes in front bar. (If canopy width is in excess of 15', splice front bars together and secure drive rivets in holes provided).

**5****LOCATE UPRIGHTS**

Raise front bar using support of ladder. Install uprights using PTN castings. Corner uprights are to be positioned inside end rafters and within 1' - 0" from ends. Again, front bar should rotate freely.

**6****SECURE UPRIGHTS**

Install base plate with #10 - 1" sht mtl. screw. Position uprights into vertical position with level. Mark and drill patio for shields or bolts. Use pilot hole for wood deck.

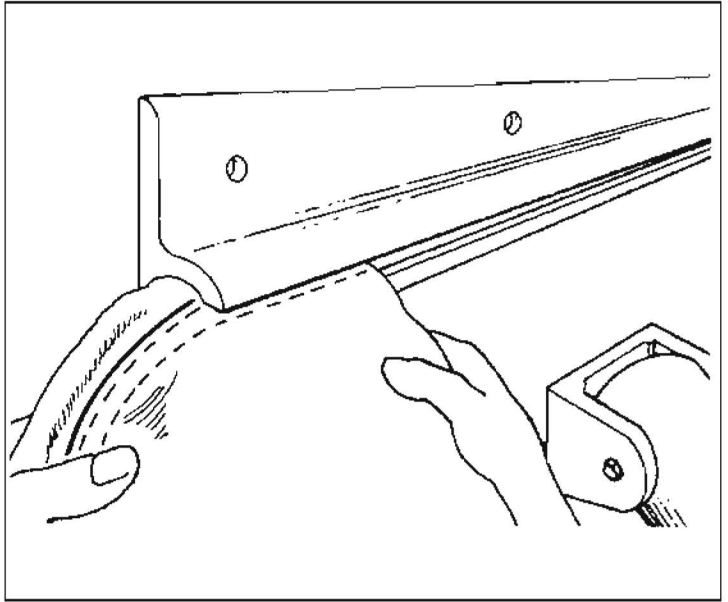


7

INSTALL FABRIC

Insert beaded edge at top of canopy fabric through channel rail. Spread over rafters and pull fabric to other end.

Remove end rafters from frame and insert through pockets at each end of canopy. Reconnect rafters to frame.

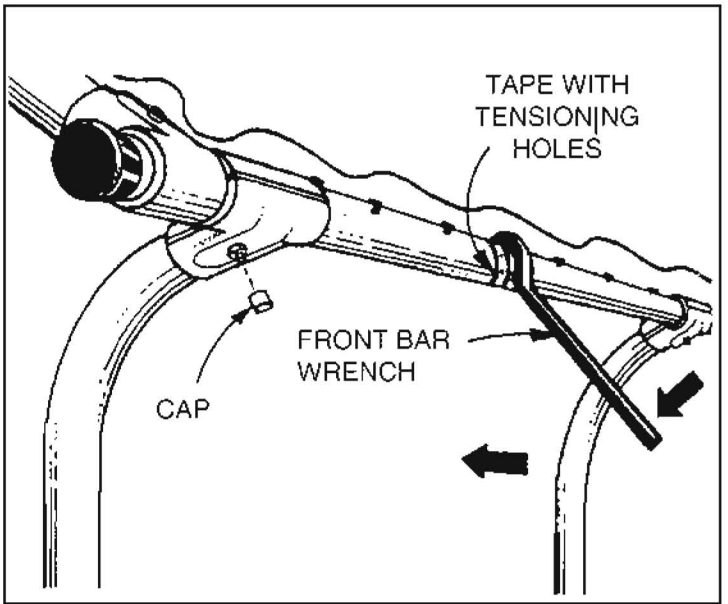


8

TENSION FABRIC

Insert all canopy hooks into holes of front bar and turn front bar with front bar wrench provided to tension.

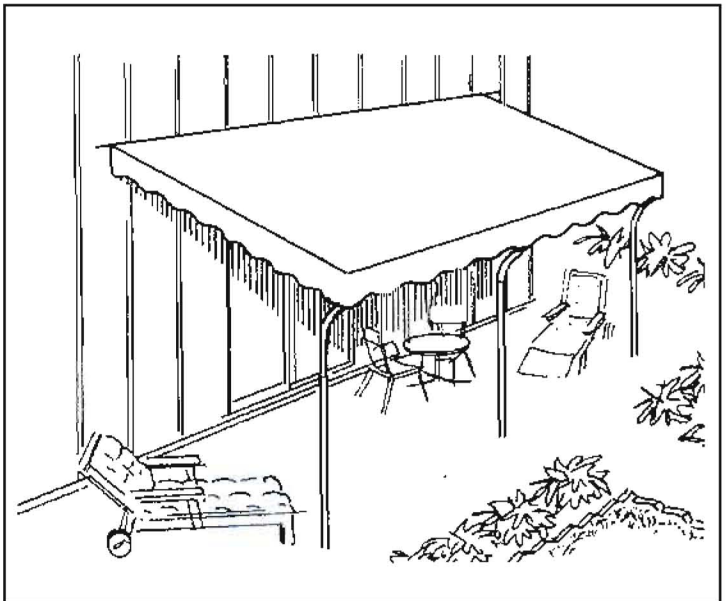
NOTE: Front bar wrench holes are not on same line as canopy hook holes. (Rotate front bar until all canopy sags and wrinkles are removed). While firmly tensioning canopy, tighten nearest PTN bolt using ratchet wrench that is provided.



9

SECURE CASTINGS

Tighten all other PTN castings to hold front bar and uprights in position. Make sure the raised ridge inside casting fits into grooves in uprights & rafters. Your canopy is now installed, check all fittings and screws to be sure they are properly tightened. Attached white caps to ends of PTN bolts.





Thank you for purchasing an Anchor product. In return, we pledge Quality, Service and Craftsmanship and are available for any questions you may have or assistance you may need.

CAUTION:

1. This product is of superior design and operates best within the parameters of these instructions. It is **imperative** that the instructions be carefully read and **completely followed**. The owner must understand that this product has been designed for normal weather conditions and has limited capacity to support winds and rain. The canopy should be removed from the frame during possible snow accumulation, to avoid collapse of frame.
2. Inasmuch as the weather is unpredictable, good judgment and common sense must be incorporated with installation guidelines and the safe use of this product. It is the responsibility of the installer/owner to determine the severity of the weather, proper time and method of installation and disassembly. Based on good judgement, we recommend that you evacuate the canopy in the event of severe weather.
3. Proper safety equipment should be used at all times to ensure a safe installation and take down. We suggest a careful examination be made to determine safety equipment needed, such as hard hats, steel toe shoes, safety glasses and other as required.